

Image illustrative only



## PRODUCT INTRODUCTION

The Bianco NXT Summit Series Drive Controller Kits are an all-in-one solution designed to achieve advanced control, enhanced protection and optimal energy efficiency with the Bianco NXT range of Variable Frequency Drives.

Featuring the latest touch-screen technology and an intuitive user-friendly menu, these kits provide easy access to all the information you need.

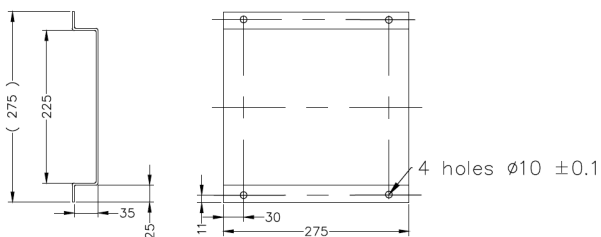
SUMMIT SERIES VMS solutions are designed for performance, reliability and ease of use.

## PUMP TECHNICAL DATA

<b>RATED FLOW [M3/H]</b>	8 m <sup>3</sup> /hr
<b>MAX. FLOW</b>	12 m <sup>3</sup> /hr
<b>MAX. HEAD</b>	42 m
<b>OPTIMUM OPERATING RANGE</b>	5m <sup>3</sup> /hr @ 39.8m 46.1% eff
	12m <sup>3</sup> /hr @ 29m 63.2% eff
<b>WORKING AIR TEMP</b>	0°C – 40°C
<b>LIQUID TEMPERATURE</b>	-15°C – 120°C
<b>HIGHEST EFFICIENCY</b>	63.6%
<b>MAXIMUM PUMP PRESSURE</b>	33 bar
<b>NET WEIGHT (KG)</b>	38.6 kg

## INCLUDES

- Galvanised single-pump base
- VMS Pump
- NXT Drive (Variable Frequency Drive)
- 4-20mA/10bar Pressure Transducer
- Stainless Steel Counter Flanges
- Gaskets to suit Counter Flanges
- Watermarked Spring Check Valve
- Manifold (304 Stainless Steel)
- 30bar Liquid-filled Pressure Gauge
- Outlet-side SS Isolation Valve
- BPT-18 10bar-rated Pressure Tank with 304 SS 25mm isolating valve



Base 275 x 275mm x 35mm high

<b>RATED VOLTAGE/CURRENT</b>	3ph 415V +10% -6% 3.3A
<b>MOTOR POWER (KW)</b>	1.5kW 2-pole
<b>MOTOR IP RATING</b>	IP55
<b>MOTOR INSULATION</b>	Class F
<b>MOTOR EFFICIENCY STD</b>	I.E.3
<b>MOTOR EFFICIENCY</b>	84.2%
<b>COS Ø</b>	0.84
<b>MECHANICAL SEAL</b>	SVH-L-16
<b>OUTLET DIN FLANGE</b>	DN40

BIA-DRIVE3-22



Three Phase 415VAC IN / Three Phase 415VAC OUT

## TECHNICAL DATA

INPUT VOLTAGE	3ph 415VAC -10% +5%
INPUT FREQUENCY	50/60Hz 5% fluctuations
OUTPUT VOLTAGE	3ph 415VAC
OUTPUT FREQUENCY	0 – 200Hz
OUTPUT RATING	5.1A / Nominal 2.2kW
SPEED HOLDING PRECISION	±1%
INGRESS PROTECTION	IP54
OPERATING TEMPERATURE	-10°C to +40°C

## PRODUCT DETAILS

The NXT DRIVE Series are a range of pump-specific Variable Frequency Drives designed for the Australasian market with both the end-user and the technician in mind.

Featuring a full-colour, touch-screen interface for clear, concise system information, fault codes and protection notices, with a handy setup wizard so you're always in control. NXT DRIVE is both simple to set up and use.

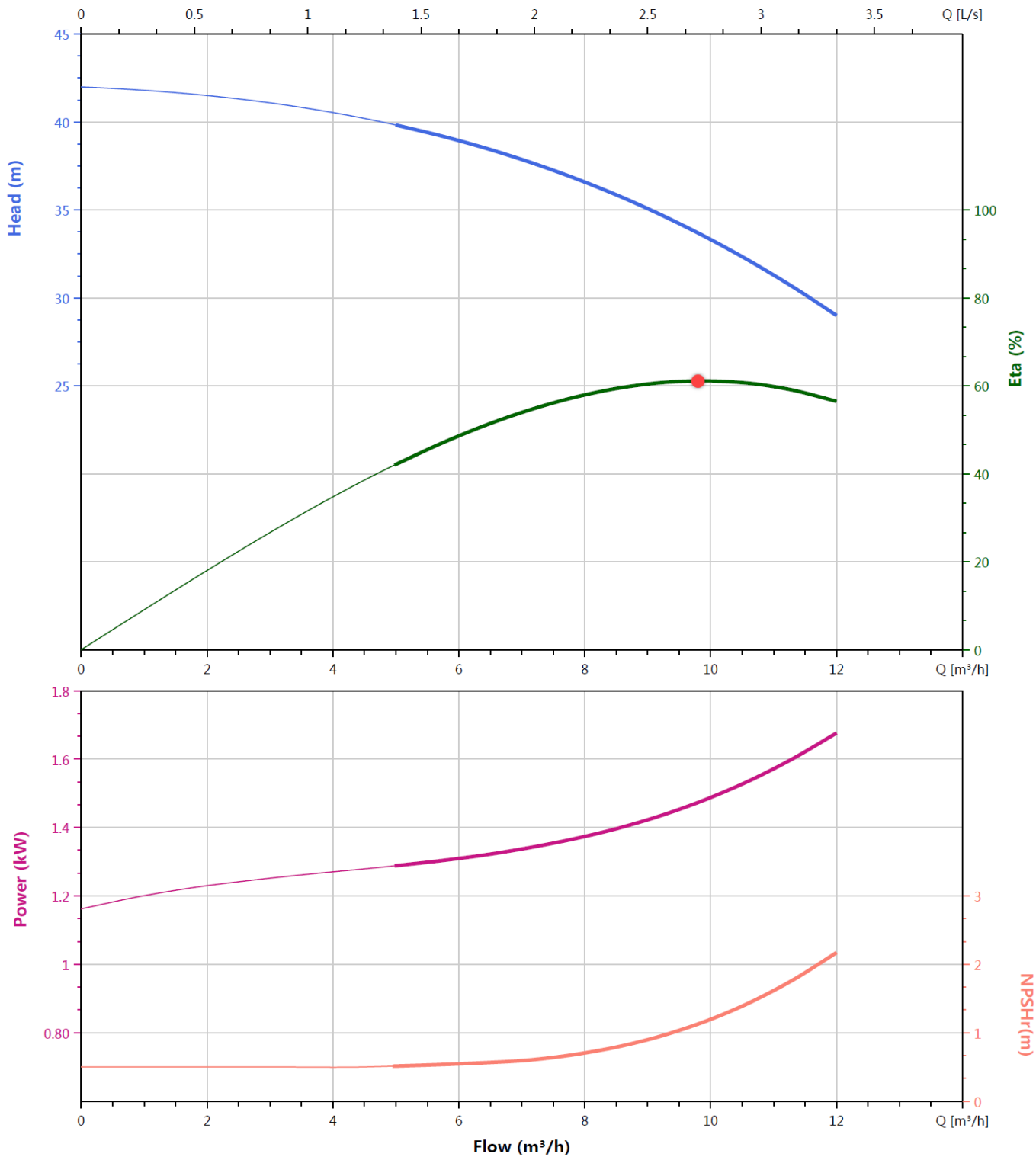
Perfect for achieving constant pressure management of a single pump with advanced control, enhanced protection and optimal energy efficiency.

## FEATURES

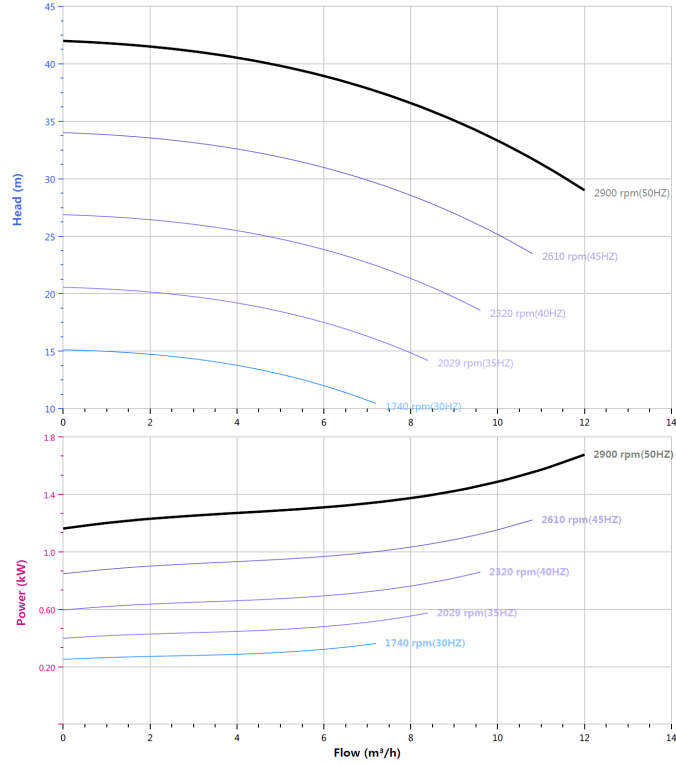
- Control and protect pumps up to 2.2kW (5.1 Amps)
- Variable frequency control to achieve constant pressure control
- Minimise wasted energy and reduce the need for large pressure tanks
- 'Soft-start' with low motor start current
- Flow, pressure and current protections
- RS485 comms
- 25 plain-language fault messages
- Provides protection from dry run, high and low voltage, input and output short circuits, high and low water pressure, input and output phase failure, high temperature and sensor faults
- 24V, 10V and 5V supply circuits
- Digital and analogue (voltage or current) inputs
- Relay and analogue outputs
- Multi-functional terminals



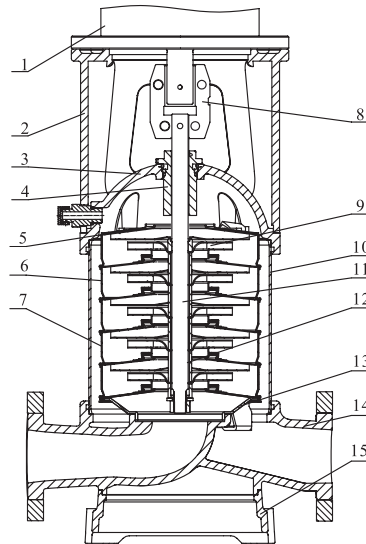
**PERFORMANCE CURVES**



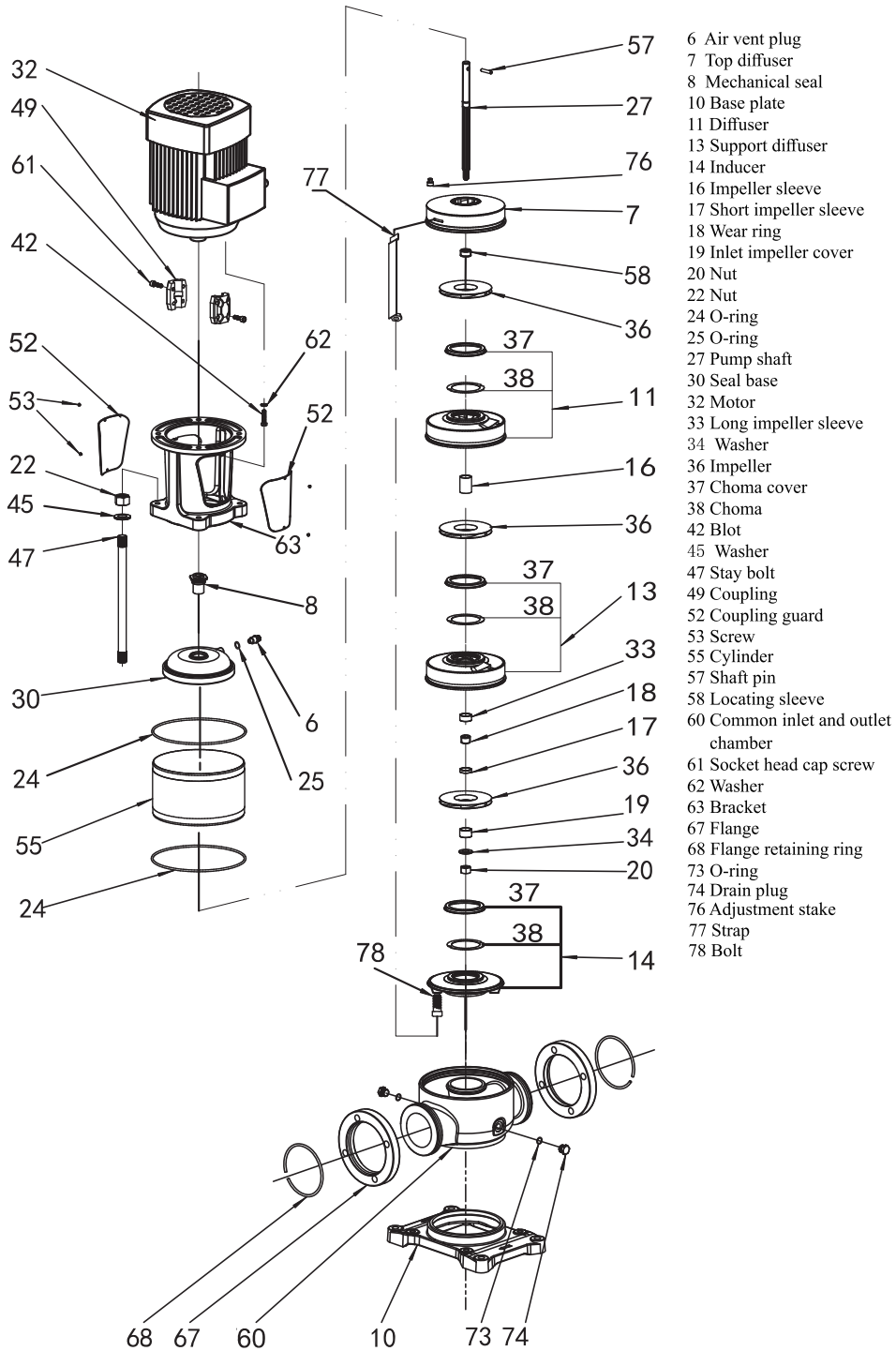
### VFD CURVE



### CUTAWAY



No.	Spare parts	Materials	
		SVH	SVHT
1	Motor	/	/
2	Bracket	Ductile cast iron	/
3	Seal base	Stainless steel	/Ductile cast iron
4	Mechanical seal	/	/
5	Top diffuser	Stainless steel	/
6	Diffuser	Stainless steel	/
7	Support diffuser	Stainless steel	/
8	Coupling	Ductile cast iron	/
9	Impeller	Stainless steel	/
10	Cylinder	Stainless steel	/
11	Shaft	Stainless steel	/
12	Bearing	SIC/WC	/
13	Inducer	Stainless steel	/
14	Inte&outlet chamber	Stainless steel	/Ductile cast iron
15	Base	Ductile cast iron	/



**WARRANTY / CERTIFICATIONS**

